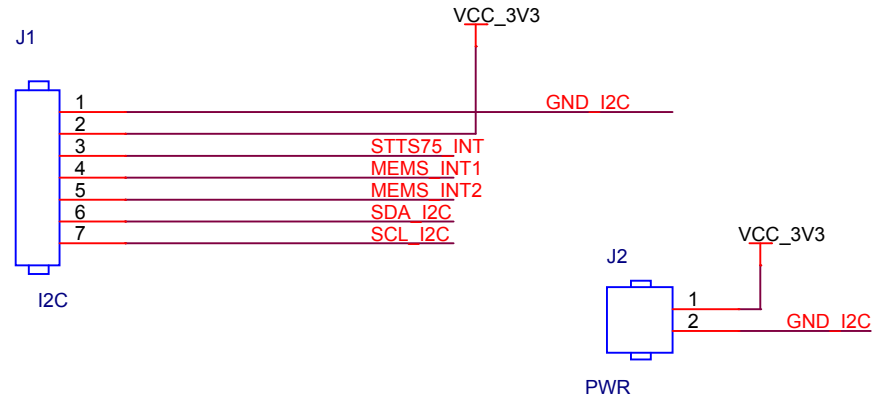
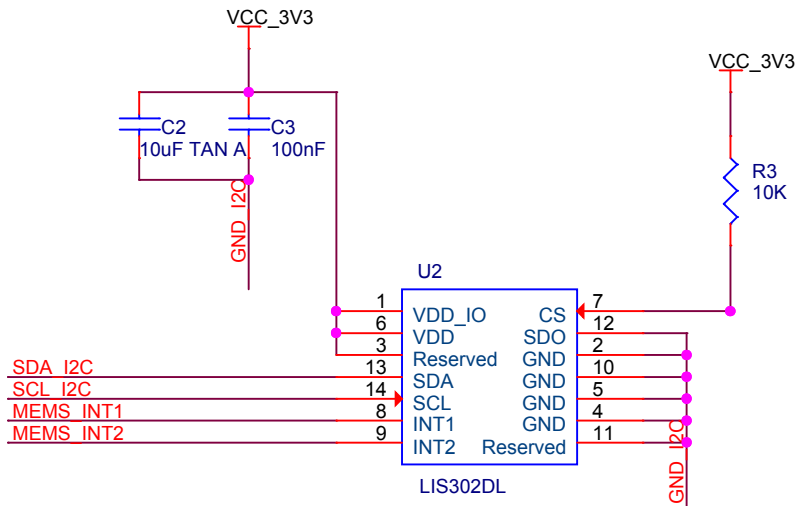


EEPROM



Digital Temp Sensor



ACCELEROMETER

100nF AND 10uF Capacitors should be as close as possible to pin no 3.

Title		
I2C Interface		
Size A	Document Number	Rev
	STM32L-Discovery	1.0
Date:	Friday, February 24, 2012	Sheet 1 of 1