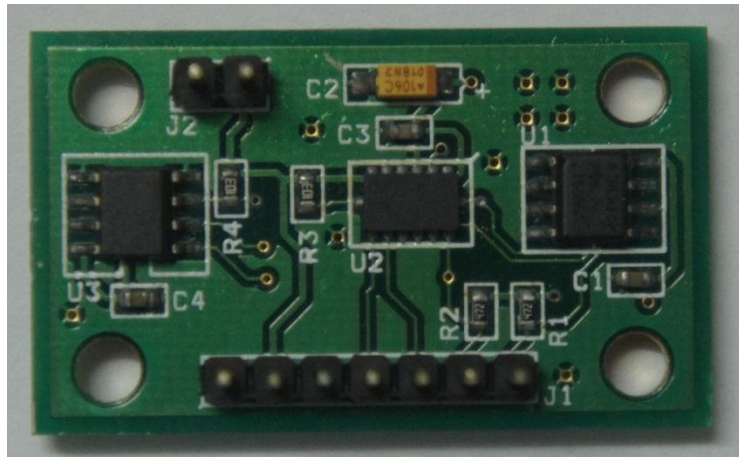


I2C Peripheral Board



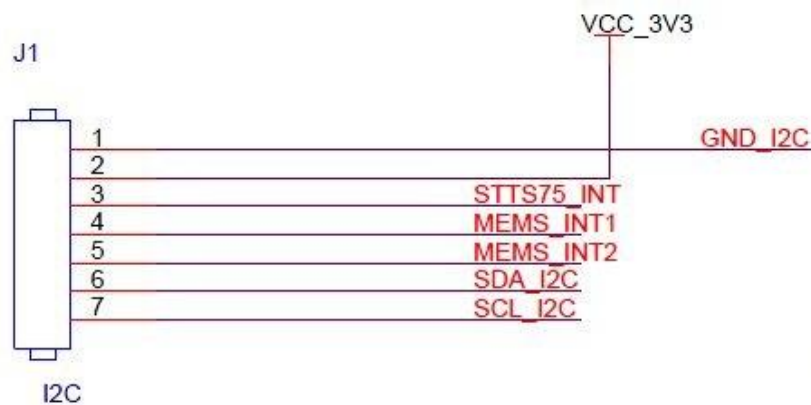
This board is consists of the following ICs:

- . AT24C1024B : Two-wire serial EEPROM
- . LIS302DL : 3-axis - $\pm 2g/\pm 8g$ smart digital output “piccolo” accelerometer
- . STTS75 : Digital temperature sensor and thermal watchdog

The information regarding ICs you can find in the provided datasheets.

It can be power on with 3.3V DC input from the MCU board. An extra 3.3V 2-Pin header is provided in case the main board has only one 3.3Vdc connector and another 3.3V is required to connect other peripheral.

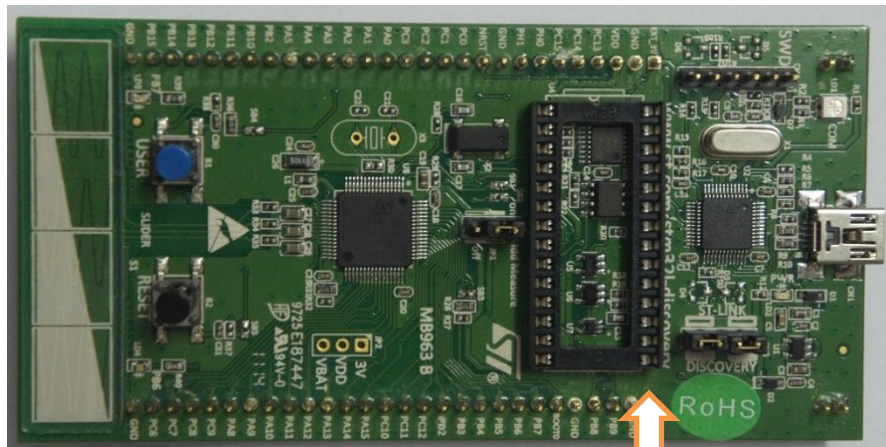
PIN configuration for the I2C Peripheral interface board (7 pins header):



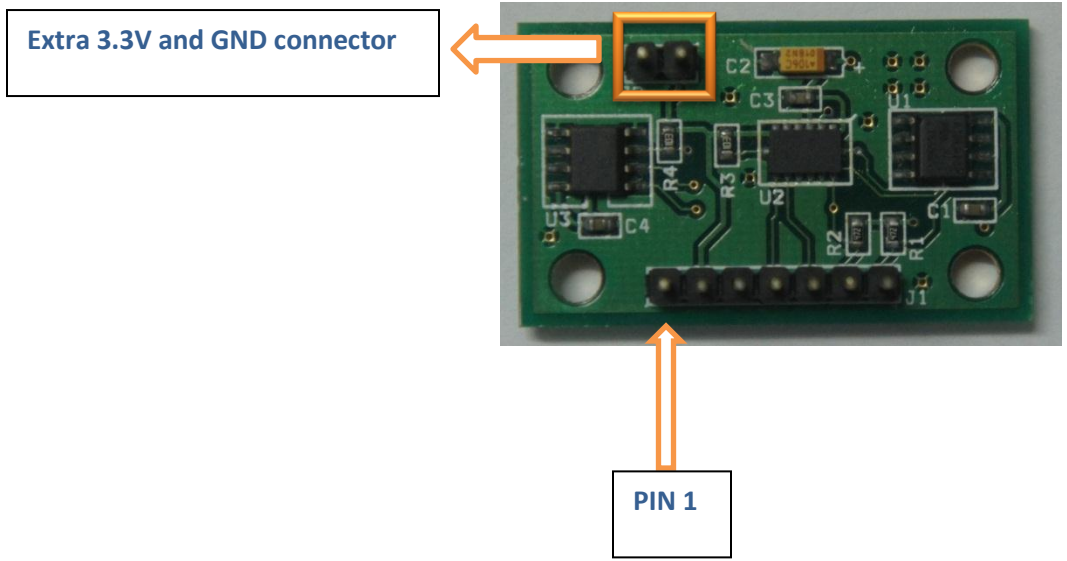
- Pin 1 : GND
- Pin 2 : 3.3V
- Pin 3 : STTS75 INT (Interrupt Pin for STTS75 temperature sensor)
- Pin 4 : MEMS_INT1 (Interrupt Pin for Accelerometer)
- Pin 5 : MEMS_INT2 (Interrupt Pin for Accelerometer)
- Pin 6 : SDA_I2C (I2C Data Line)
- Pin 7 : SCL_I2C (I2C clock Line)

Note: On board Pull-up resistor provided for I2C lines.

Important: You should remove the Glass LCD from STM32L-Discovery board before connecting the I2C peripheral interface board, because it (LCD) uses most of the extended PINs which available on the board.



Remove Glass LCD from Discovery board



Please refer to the user manual "UM1079" for complete information about STM32L-DISCOVERY board. STM32L-DISCOVERY board is using ST's "STM32L152RBT6" microcontroller. For programming the GPIOs and other peripheral please refer to reference manual "RM0038".

For PIN configuration please refer to "discover_board.h" file in your working directory.

Table 6. LCD connections

STM32L152	LCD					
Name	Pin	COM3	COM2	COM1	COM0	Name
PA1	1	1N	1P	1D	1E	LCDSEG0
PA2	2	1DP	1COLON	1C	1M	LCDSEG1
PA3	3	2N	2P	2D	2E	LCDSEG2
PB3	4	2DP	2COLON	2C	2M	LCDSEG3
PB4	5	3N	3P	3D	3E	LCDSEG4
PB5	6	3DP	3COLON	3C	3M	LCDSEG5
PB10	7	4N	4P	4D	4E	LCDSEG6
PB11	8	4DP	4COLON	4C	4M	LCDSEG7
PB12	9	5N	5P	5D	5E	LCDSEG8
PB13	10	BAR2	BAR3	5C	5M	LCDSEG9
PB14	11	6N	6P	6D	6E	LCDSEG10
PB15	12	BAR0	BAR1	6C	6M	LCDSEG11
PB9	13	COM3				LCDCOM3
PA10	14		COM2			LCDCOM2
PA9	15			COM1		LCDCOM1
PA8	16				COM0	LCDCOM0
PA15	17	6J	6K	6A	6B	LCDSEG12
PB8	18	6H	6Q	6F	6G	LCDSEG13
PC0	19	5J	5K	5A	5B	LCDSEG14
PC1	20	5H	5Q	5F	5G	LCDSEG15
PC2	21	4J	4K	4A	4B	LCDSEG16
PC3	22	4H	4Q	4F	4G	LCDSEG17
PC6	23	3J	3K	3A	3B	LCDSEG18
PC7	24	3H	3Q	3F	3G	LCDSEG19
PC8	25	2J	2K	2A	2B	LCDSEG20
PC9	26	2H	2Q	2F	2G	LCDSEG21
PC10	27	1J	1K	1A	1B	LCDSEG22
PC11	28	1H	1Q	1F	1G	LCDSEG23

You have access to above PINs after removing the LCD from the Discover board.